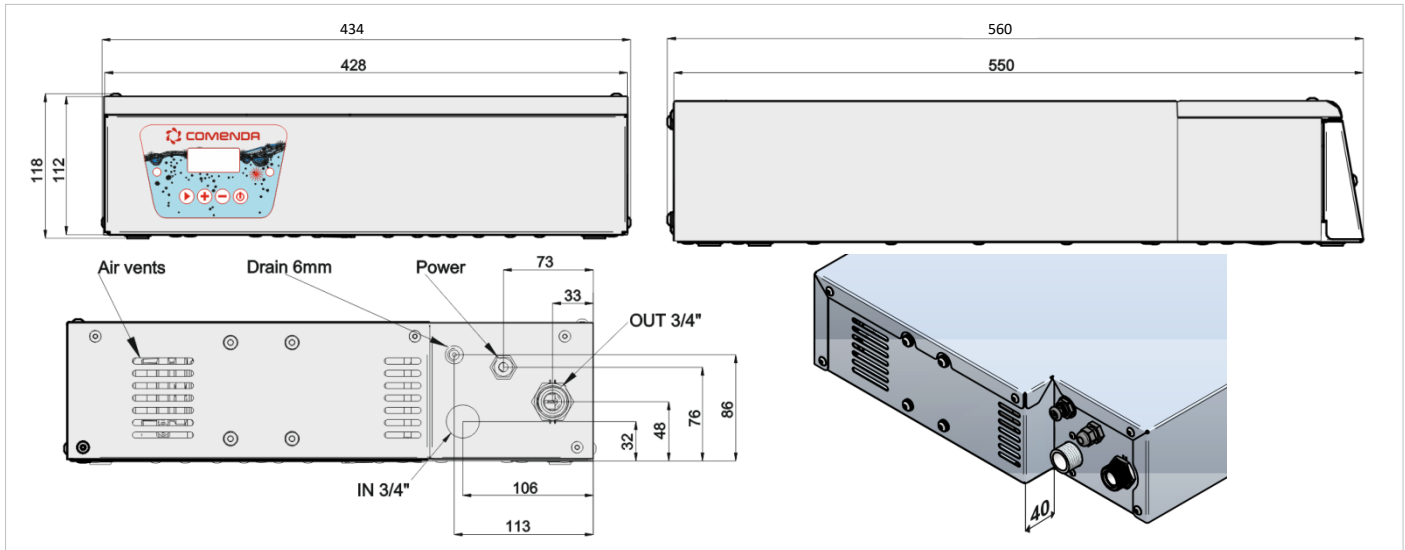


AQUA + ES – Reverse Osmosi Unit



Brief Description

Reverse Osmosis Water Purifier. Compact in size, powerfully efficient, the unit offers trouble-free maintenance. The unit easily integrates with washing systems with straightforward water and electrical hook-ups. To combine with Comenda machines fitted with a Rinse Control Device (RCD).

Technical Features

Lenght x Depth x Height	434x560x118 mm
Weight	16 kg
Approved Decibel Level	<70 dB(A)
Membrane	4
Active Carbon Filter	Profine® BLUE small
Autonomia filtro	12000 l
Grado di protezione	IPX4
Water Type.....	Potable
Minimum Water Temperature	5°C
Maximum Water Temperature	35°C
Minimum Inlet Flow Rate	400 l/h
Maximum Inlet Pressure	600 kPa
Minimum Inlet Pressure.....	100 kPa
Maximum Relative Humidity	90%
Minimum External Temperature	5°C
Maximum External Temperature	40°C
Power Supply Type	SINGLE PHASE + GROUND
Voltage	230/240 V
Frequency	50/60 Hz
Absorbed Current	1,5 A
Power	180 W
Flow Rate a 15°C	140l/h
Recovery	40/60%
Typical Rejection	95%
By-pass	Manual